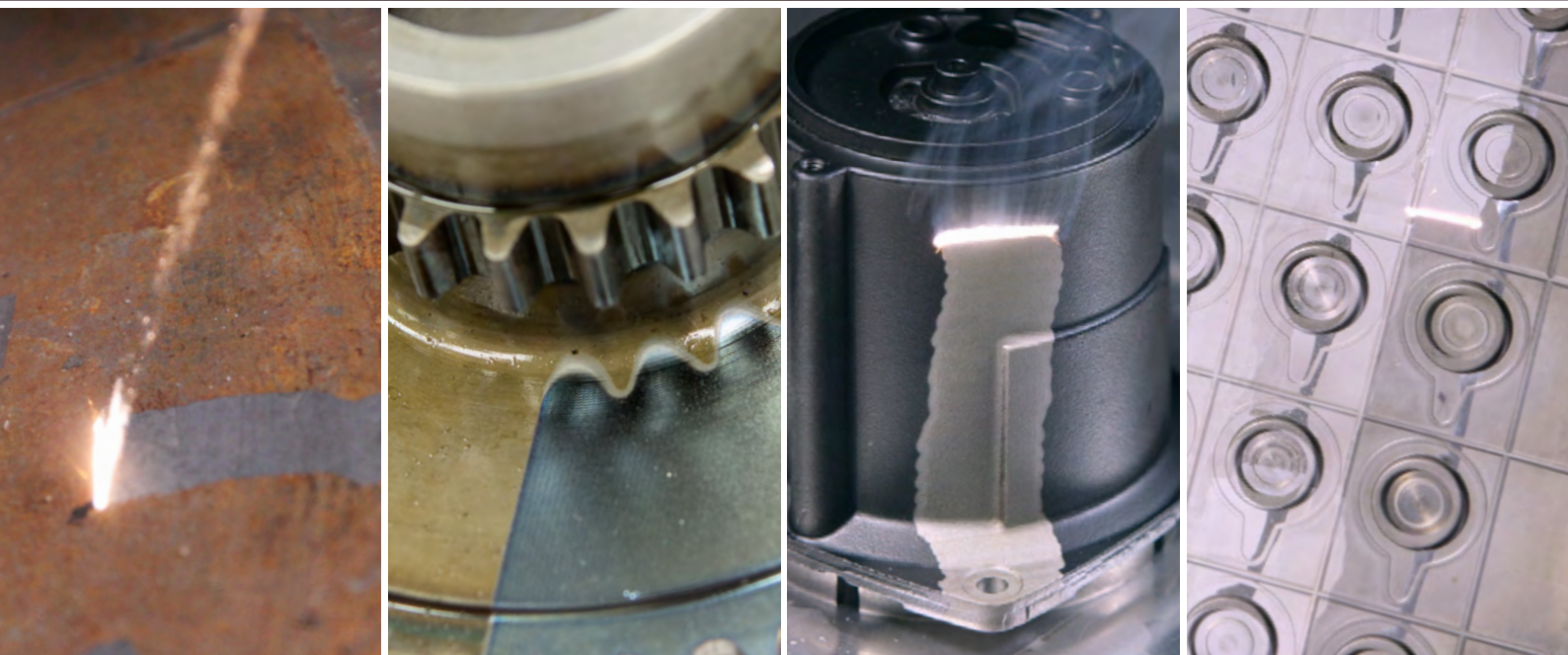


LASER | SYSTEME | SERVICES

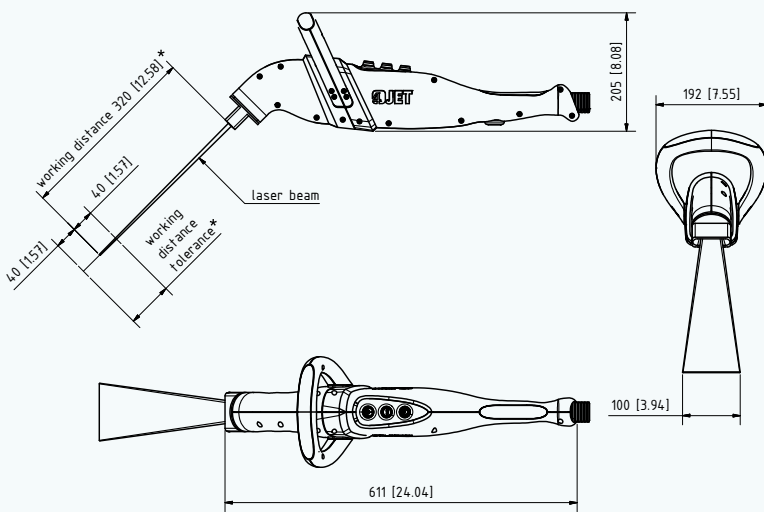
4JET

JETLASER

Flexible Laser Cleaning

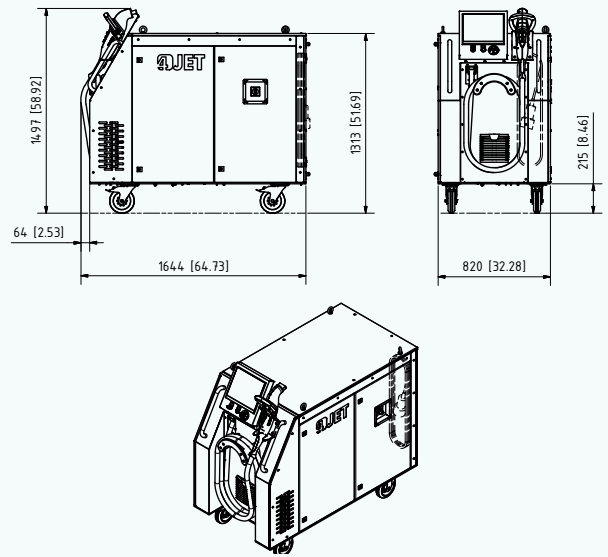


Devarnishing / Removal of Rust, Oil and Grease / Paint Stripping / Mold Cleaning



Handheld Device

*Working distance and tolerance refer to a system with a 200 watt laser.



Supply Unit

JETLASER		M100 / R100	M200 / R200	M500 / R500
LASER	UNIT			
Laser Power*	W	100	200	500
Pulse Duration	ns	100	100	100
Laser Class		Class 4	Class 4	Class 4
Pulse Frequency	kHz	100	20	10
Pulse Energy	mJ	1	10	50
Wavelength	nm	1064	1064	1064
ELECTRICAL DATA	UNIT			
Power Supply	VAC Hz	380-480 50-60	380-480 50-60	380-480 50-60
Power Consumption	kW max.	7,7	7,7	7,7
MECHANICAL DATA	UNIT			
Weight of Laser Head	kg	approx. 5	approx. 5	approx. 5
Weight of Supply Unit	kg	approx. 365	approx. 450	approx. 475
Working Distance	mm	330	330	105
Working Distance Tolerance	mm	± 30	± 40	± 25
Length of Cable Connection between Handheld Device and Supply Unit	m	3 (others on request)	3 (others on request)	15 (others on request)

*Higher laser power on request

SYSTEM FEATURES

- Optimized for manual use (**JETLASER M**) or integration with a robot (**JETLASER R**)
- Innovative approaches to ergonomics and worker safety by a symmetrical design
- Wide range of power levels
- Fibre-coupled, maintenance free solid state lasers
- Rugged mobile supply unit

APPLICATIONS

- Cleaning of molds, tools and fixtures
- Paint and coating removal operations
- Pre-treatment of surfaces prior to welding, gluing or coating operations



4JET Technologies GmbH

Konrad-Zuse-Str. 1
52477 Alsdorf, Germany

TEL. +49 (0) 24 04 55 230-0

FAX +49 (0) 24 04 55 230-11

MAIL sales@4jet.de

www.4jet.de

